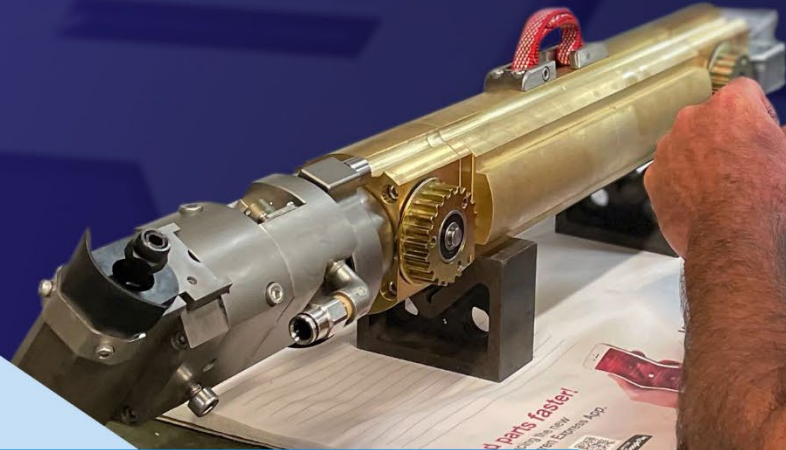




KRE ENGINEERING SERVICES
PIPELINE MAINTENANCE SPECIALISTS



2024 Parts Catalogue Air Motor Kits



www.kre.com.au



DOWN SIZE KIT



PART NUMBER

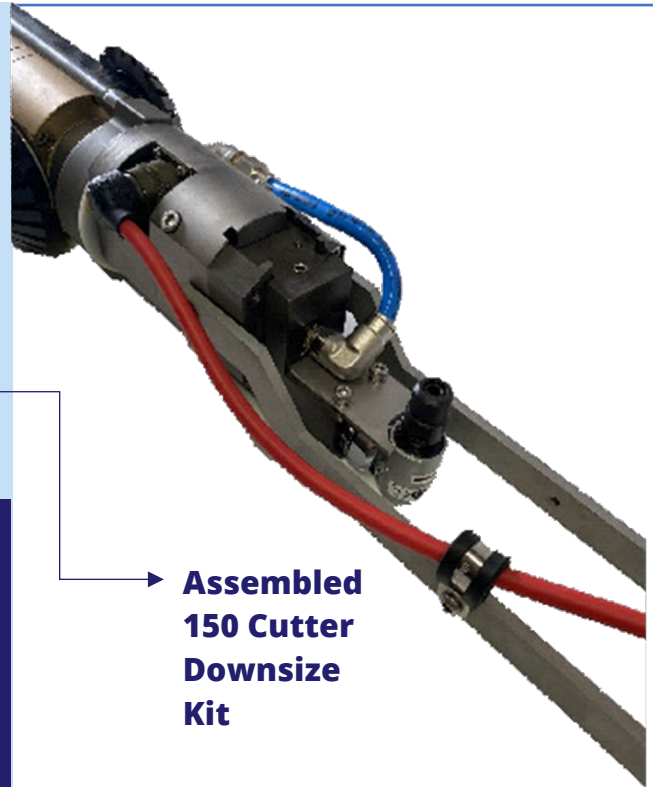
150-DSK

FOR USE WITH

150 Cutter

DESCRIPTION

Small air motor and traction wheels for 150mm pipes that have reduced diameter.



**Assembled
150 Cutter
Downsize
Kit**

FORWARD FACING CAMERA KIT



PART NUMBER

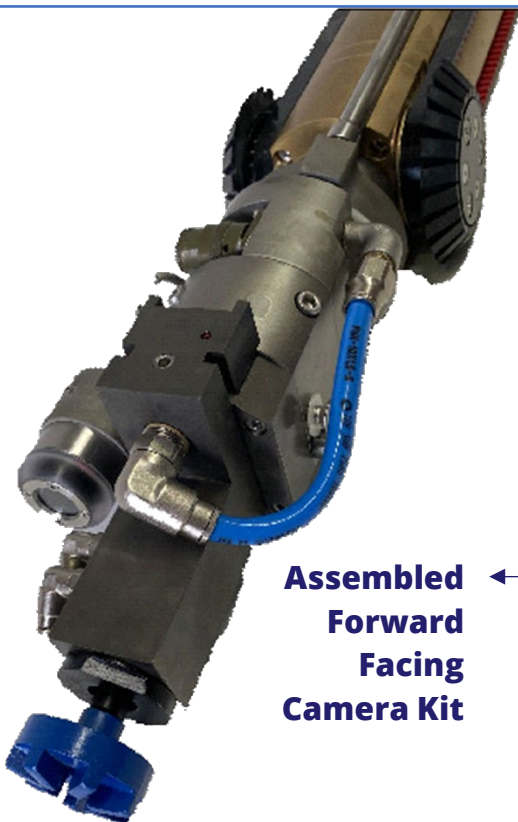
150-FFC

FOR USE WITH

150 Cutter

DESCRIPTION

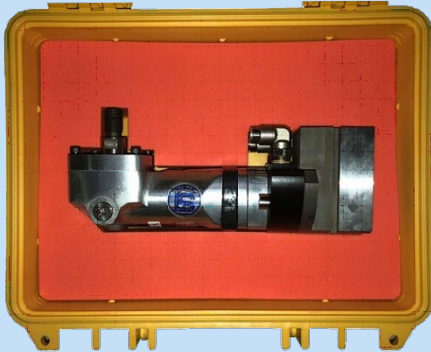
Forward facing air motor with mini straight shot camera for all forward facing cutting purposes in 150-225 pipeline.



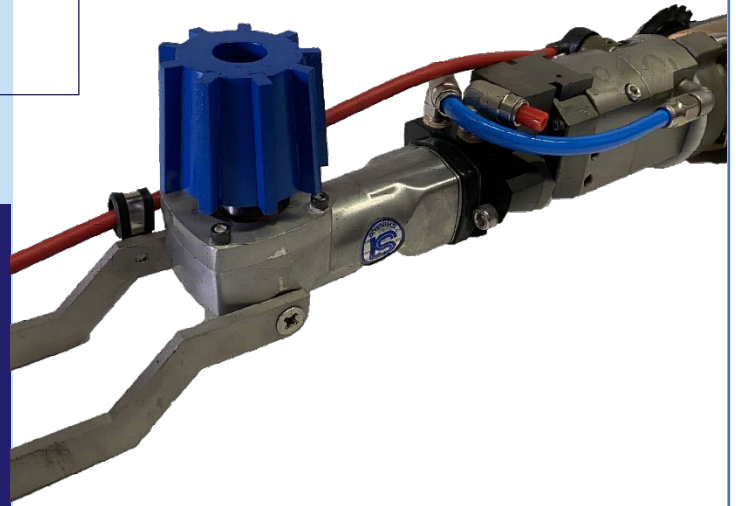
**Assembled
Forward
Facing
Camera
Kit**



HIGH TORQUE GRINDING KIT



Assembled
150 Cutter
High-Torque
Grinding Kit



PART NUMBER

150-HTG

FOR USE WITH

150 Cutter

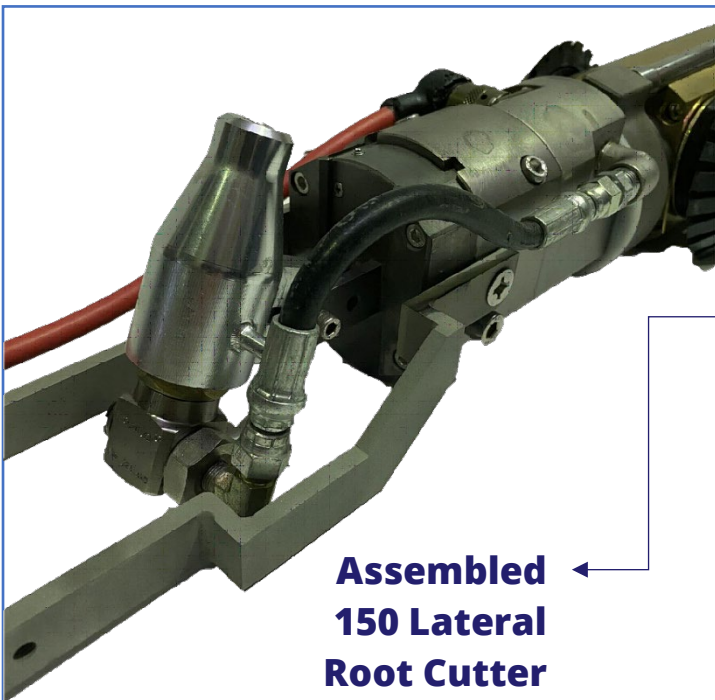
DESCRIPTION

Heavy duty grinding kit for use in 150-225.

LATERAL ROOT CUTTER KIT



Assembled
150 Lateral
Root Cutter
Kit



PART NUMBER

LRC-150

FOR USE WITH

150 Cut

DESCRIPTION

high pressure root cutting adapter for 150 cutter. Includes link hose and adjuster for autopositioning of cutting head into the lateral. ** requires high pressure water pump for supply



ASSORTED AIR MOTORS



PART NUMBER

150-AMK

FOR USE WITH

150 - 300

DESCRIPTION

Set of 3 air motors, 150, 225, 300 which reaches up to 300mm.

ASSORTED AIR MOTORS



PART NUMBER

150-AMK-45

FOR USE WITH

150 Cutter

DESCRIPTION

set of 3 air motors and housing for 150 cutter. standard 150 and 225mm straight air motor and 45 degree air motor for 150mm pipes with reduced diameter.

HIGH TORQUE GRINDING KIT



PART NUMBER

300-HTG

FOR USE WITH

300 Cutter

DESCRIPTION

600-800 Extension kit for 300 cutter with high torque air motor, extension collets and block plus concrete grinding heads.

MULTI DIRECTIONAL JETTING KIT



PART NUMBER

LRC-300

FOR USE WITH

300 Cutter

DESCRIPTION

High Pressure Water Jetting Kit, with multiple nozzle attachments and jetting angles, for use with 300 Cutter



HORIZONTAL GRINDING KIT



PART NUMBER

300-HC

FOR USE WITH

300 Cutter

DESCRIPTION

High torque horizontal grinding kit for lateral or other material removal along the horizontal plane