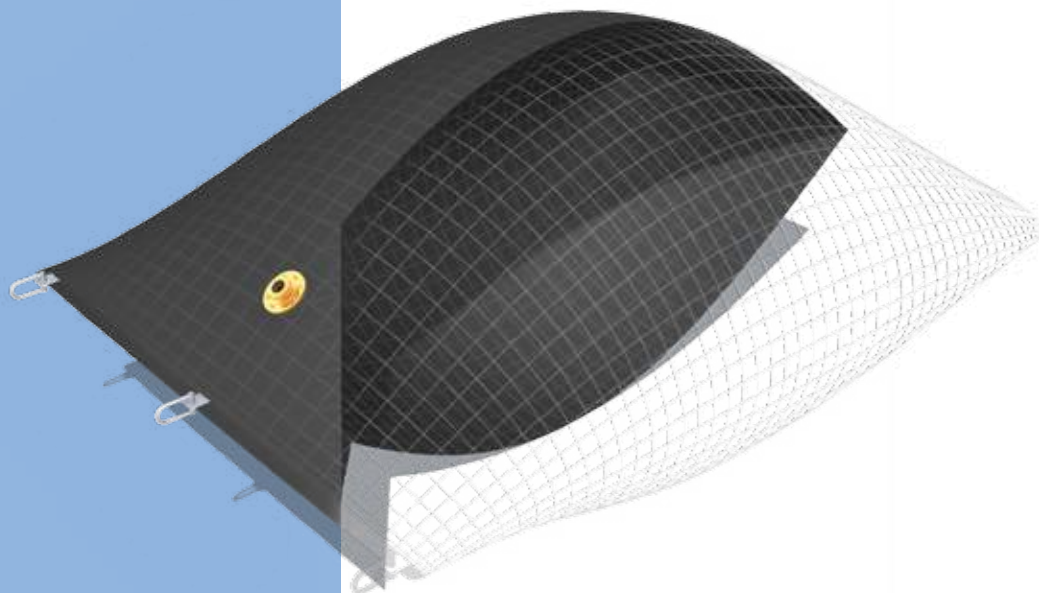


MULTI-SIZE PILLOW-TYPE PLUGS PLUGY AND PLUGSY

1.9



Savatech multi-size pillow-type plugs PLUGY and PLUGSY unique construction and high-quality materials reflects in low weight and high flexibility light and flexible during usage and storage. The plugs of this type are used for blocking water flow in pipelines and sewage systems as well as for air-tightness tests.

A flexible 2" hose, which is easily replaced, is built in a by-pass plug.



VERY SMALL
INSERTION
DIAMETER
REQUIRED



CUSTOM MADE
DIMENSIONS
AVAILABLE



APPLICABLE IN
ROUND AND OVAL
ELLIPTICAL
PIPELINES



519817
**Plug inflation hose with
GEKA coupling**
fi 19 mm, 10 m, yellow,
3 kg, 6.6 lbs



504061
**Double controller with
pressure gauge,
relief and ball valve,**
1bar, 2 kg, 4.4 lbs

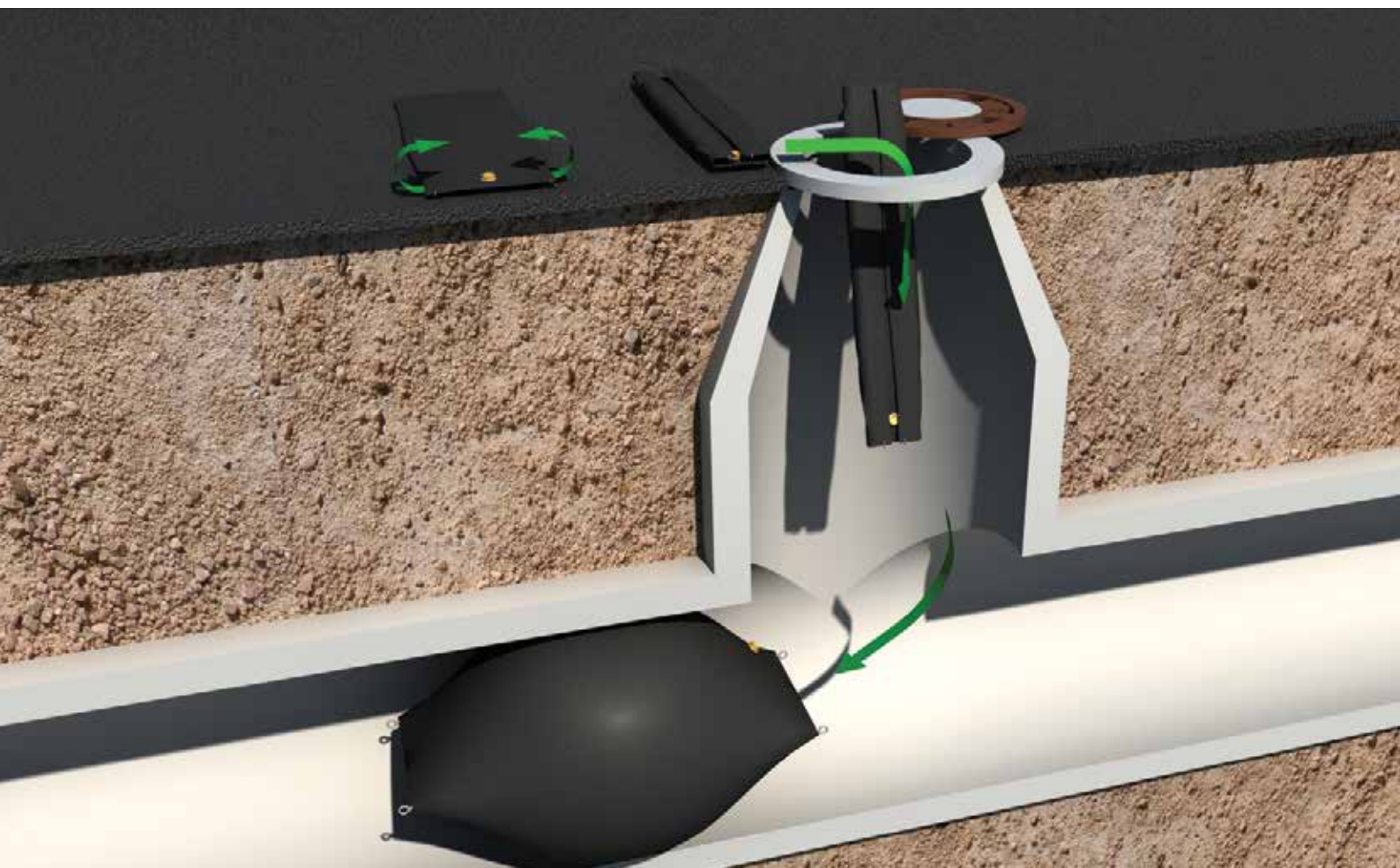


PLUGY PILOW - BLOCKING PLUG

Part number	Nominal size EU	Size usage range		Required inflation pressure (bar)	Max. allowable back pressure		Deflated plug			Product weight (kg)	Eye bolt	Inflation valve
		Min. dia. (mm)	Max. dia. (mm)		Water head (bar)	Water head (m)	Diameter (mm)	Width (mm)	Length (mm)		M thread	
529411	600-1000	600	1000	1	0.7	7	580	910	2100	18	12 x 2	2 x R1/2"
529412	800-1200	800	1200	0.9	0.6	6	780	1230	2500	29	12 x 2	2 x R1/2"
529413	1200-1600	1200	1600	0.8	0.5	5	1170	1830	3200	51	12 x 3	2 x R1/2"
529414	1600-2000	1600	2000	0.6	0.4	4	1560	2450	4000	86	12 x 3	2 x R1/2"
529491	1900-2200	1900	2200	0.5	0.3	3	1850	2910	4800	100	12 x 4	2 x R1/2"
545429	2400-2500	2400	2500	0.5	0.3	3	2350	3690	5600	222	12 x 6	2 x R1/2"
545430	2600-2700	2600	2700	0.4	0.2	2	2550	4000	6500	288	12 x 6	2 x R1/2"
545431	2800-2900	2800	2900	0.3	0.1	1	2740	4300	7000	332	12 x 6	2 x R1/2"
545432	3000	3000	3000	0,3	0,1	1	2930	4600	7500	377	12 x 6	2 x R1/2"

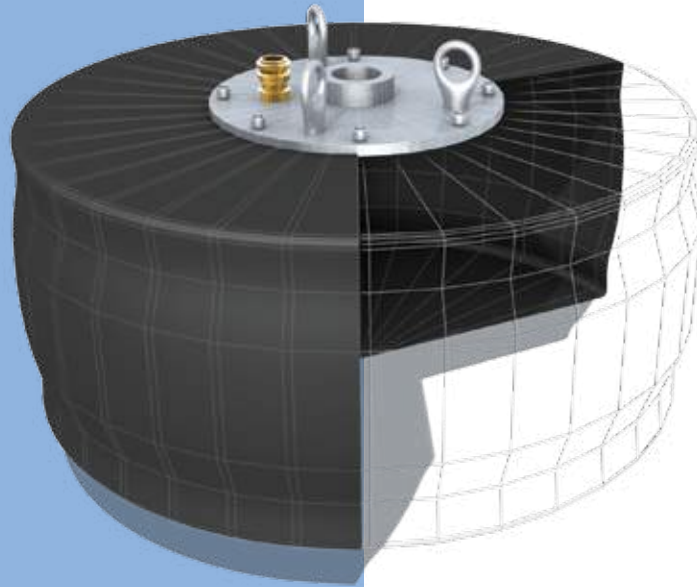
PLUGY PILOW - BYPASS PLUG

Part number	Nominal size EU	Size usage range		Required inflation pressure (bar)	Max. allowable back pressure		Deflated plug			Product weight (kg)	Eye bolt	Inflation valve	Bypass diameter (female)
		Min. dia. (mm)	Max. dia. (mm)		Water head (bar)	Water head (m)	Diameter (mm)	Width (mm)	Length (mm)		M thread		
529415	600-1000	600	1000	1	0.7	7	580	910	2100	23	12 x 2	2 x R1/2"	2"
529416	800-1200	800	1200	0.9	0.6	6	780	1230	2500	34	12 x 2	2 x R1/2"	2"
529417	1200-1600	1200	1600	0.8	0.5	5	1170	1830	3200	57	12 x 3	2 x R1/2"	2"
529418	1600-2000	1600	2000	0.6	0.4	4	1560	2450	4000	92	12 x 3	2 x R1/2"	2"
529492	1900-2200	1900	2200	0.5	0.3	3	1850	2910	4800	100	12 x 4	2 x R1/2"	2"
545433	2400-2500	2400	2500	0.5	0.3	3	2350	3690	5600	234	12 x 6	2 x R1/2"	2"
545434	2600-2700	2600	2700	0.4	0.2	2	2550	4000	6500	301	12 x 6	2 x R1/2"	2"
545435	2800-2900	2800	2900	0.3	0.1	1	2740	4300	7000	346	12 x 6	2 x R1/2"	2"
545436	3000	3000	3000	0.3	0.1	1	2930	4600	7500	392	12 x 6	2 x R1/2"	2"



PLUGS FOR GULLY / MANHOLES TESTING PLUGSY VJ

1.11



20

Savatech plugs for gully/manholes testing PLUGSY VJ are short and light, equipped with three eyebolts for simple vertical positioning of a plug during insertion.



SIMPLE
HANDLING



STANDARD
ACCESSORIES
AVAILABLE FOR
TESTING WITH
AIR ACCORDING TO
EN1610

PLUGSY VJ - BYPASS PLUG

Type plugsy	Part number	Nominal size EU	Size usage range		Required inflation pressure (bar)	Deflated plug		Product weight (kg)	Infla- tion valve	Bypass diameter
			Min. dia. (mm)	Max. dia. (mm)		Diameter (mm)	Length (mm)			
VJ 600-650	501841	600-650	600	650	1.5	560	360	16	R 1/4"	R 2"
VJ 600	538201	600	590	600	0.5	582	200	3.7	R 1/4"	R 2"
VJ 800	535889	800	780	800	0.5	770	200	5	R 1/4"	R 2"
VJ 1000	535890	1000	980	1000	0.5	970	200	6.5	R 1/4"	R 2"

